


adixen



**COMPACT TURBOMOLECULAR
PUMPING SYSTEM**
PACKTEL 1025



Packtel 1025

A compact, easy to use, plug and play pumping system. Ideal for installation on a workbench or below a vacuum chamber. Accomodate on 7 or 30 l/s turbomolecular pump and a 5 m³/h Pascal rotary vane pump, plus the options and accessories of the 1025 family. The Packtel 1025 is a compact, robust pumping system that pumps from atmosphere down to 10⁻⁵/10⁻⁸ mbar. The system is available in several versions to meet the application requirements of the customer.



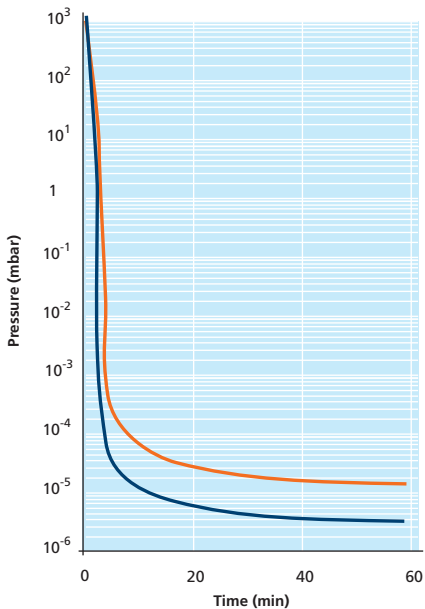
Applications

The Packtel 1025 is recommended for low vacuum applications, such as:

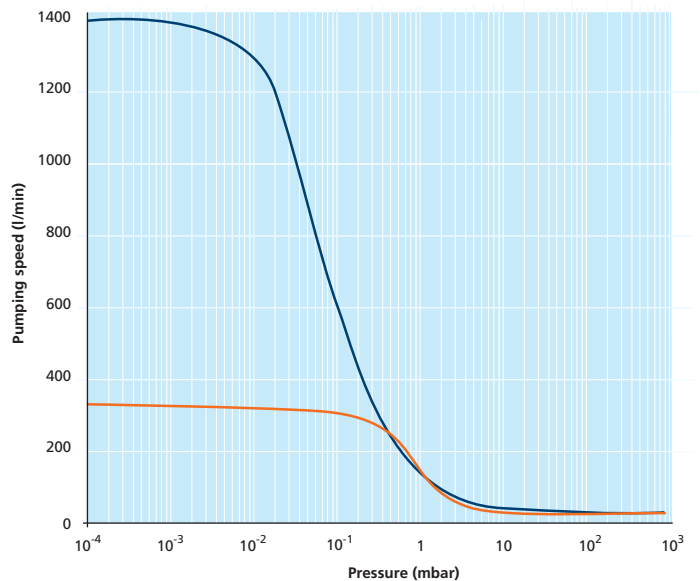
- Backing of turbopumps
- Load-lock pumping
- Vacuum process technology
- Vacuum calibration stations
- Scientific instrumentation
- Ion pump regeneration
- Cryo pump regeneration
- Small sputtering equipment
- Electron-beam welding
- Particle accelerators
- Gas backfilling operations

Technical data

Pump down curves on a 30 l volume of N₂



Pumping speed / Inlet pressure (N₂)

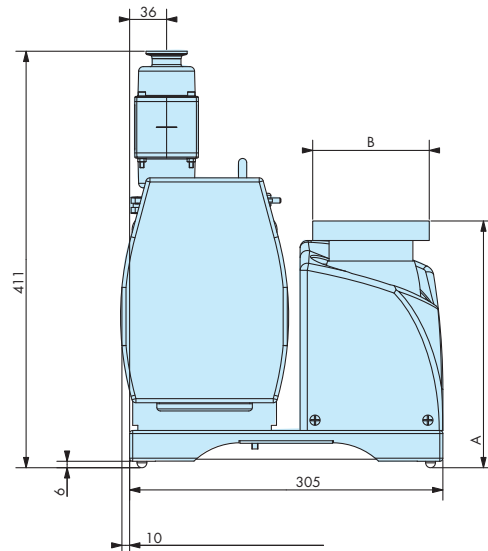
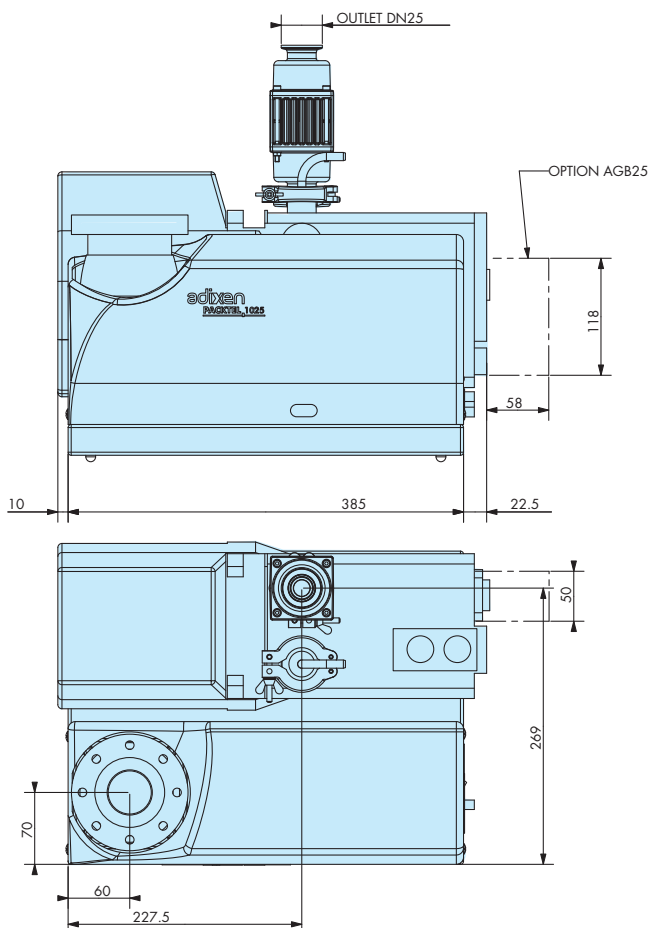


— MDP 5011 and RVP 2005 — AMH 020 and RVP 2005

Technical data

High vacuum pump		AMH 020 / AMH 020 CF-F	MDP 5011
Primary pump		2005 SD	2005 SD
Ultimate pressure	(mbar)	10^{-8}	10^{-6}
Pumping speed	(l/s)		
	N ₂	30	7.5
	He	14	4
	H ₂	6	3
Primary pumping speed, 60 Hz	(m ³ /h)	5	5
Maximum ambient temperature	(°C)	40	40
Start-up time	(min.)	2	2
Inlet flange		ISO-K 63 or CF-F 63	ISO-K 63

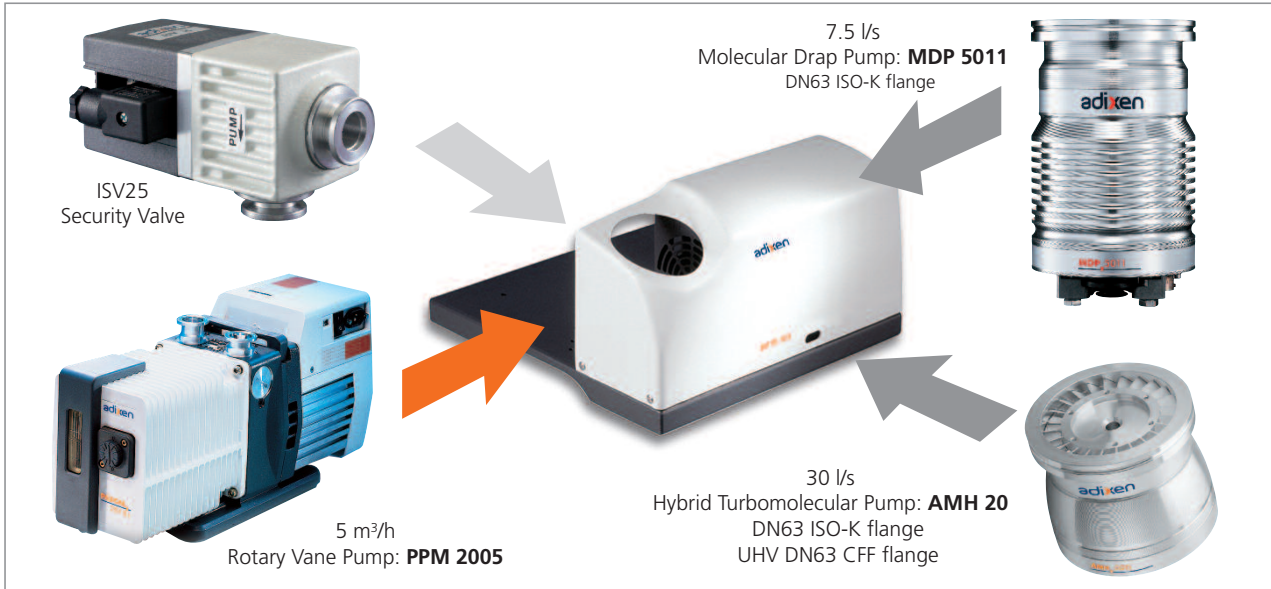
Dimensions



	A	B
Inlet flange	mm	mm
AMH 020: DN 63 ISO-K	240	95
AMH 020: DN 63 CF-F	240	113
MDP 5011: DN 63 ISO-K	265	95

Dimensions without oil mist eliminator (Oil mist eliminator can be mounted horizontally or vertically).

Versions



MDP 5011, AMH 020 and RVP2005

Options

The Packtel 1025 options include:

- An interface board which allows remote operation including start, stop and monitoring of the pumping system status.
- Automatic gas ballast which improves the pumping of condensable gas inside the pumping group.
- Safety valve. ISV25 which isolate the turbo pump and put the RVP at atmosphere pressure.

Note: Options must be incorporated at time of original order.



ISV25 - Security Valve



Interface board

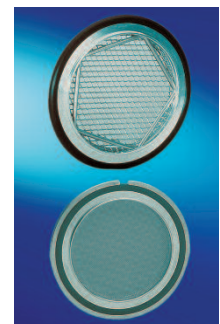


Automatic gas ballast

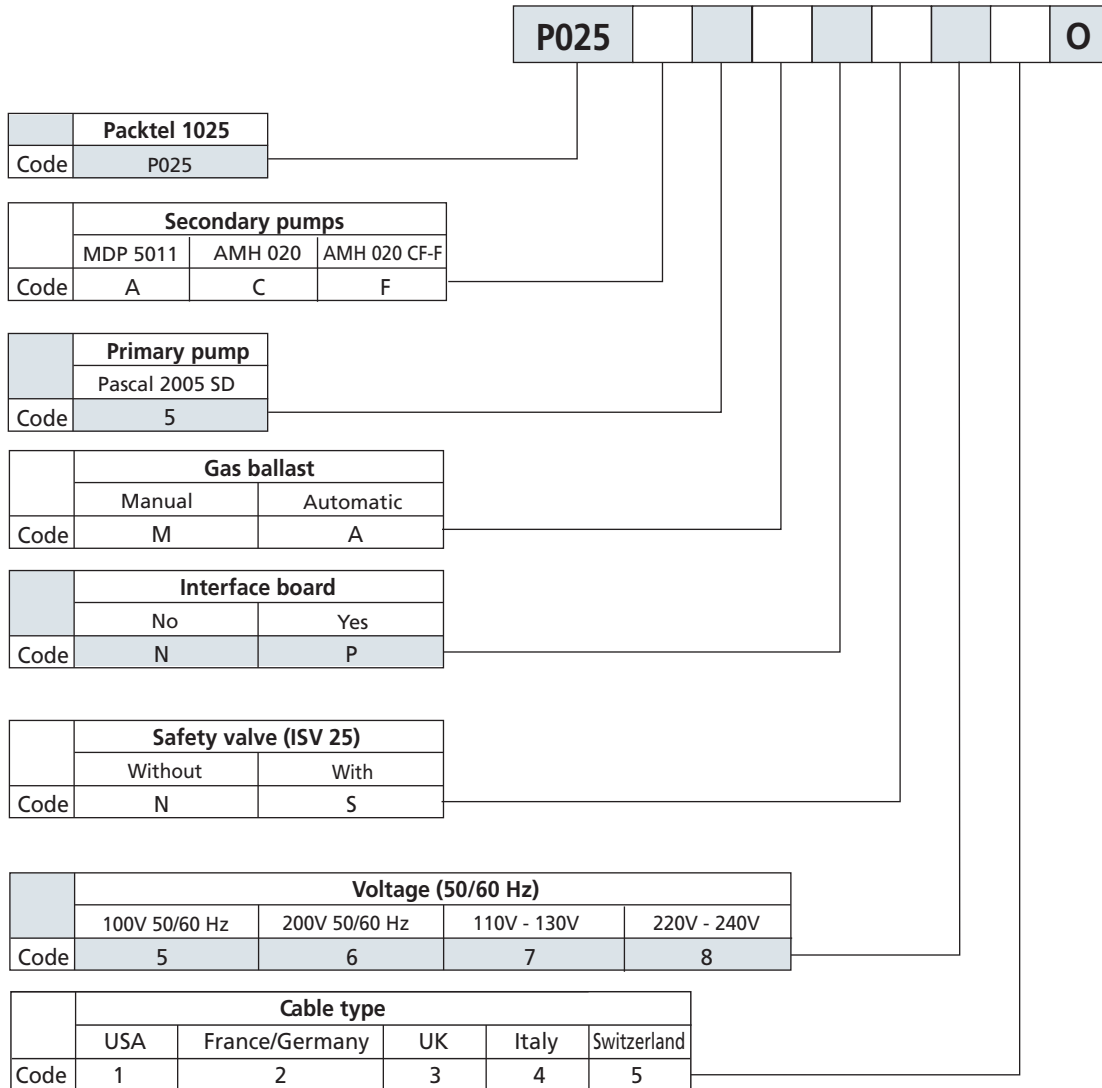
Accessories for Packtel 1025

The following accessories are available for the Packtel 1025. In particular, an inlet screen should be used to prevent foreign material from entering the pump.

Description	P/N
Inlet screen (DN 63 ISO-K) - 2.5 mm mesh size	102565
Dense mesh filter (DN 63 ISO-K) - 20 µm mesh size	102668
Aluminium centering ring (DN 63) special for MDP 5011 (without o-Ring)	063212



Packtel 1025: ordering information



For example
You need ...

Secondary pumps MDP 5011	A
Primary pump	5
Gas ballast automatic	A
Interface board	P
Without safety valve	N
Voltage 200 V - 50/60 Hz	6
UK	3

=

P025	A	5	A	P	N	6	3	0
------	---	---	---	---	---	---	---	---

**China**

Alcatel Vacuum
Technology Shanghai
Tel: (8621) 5027 0628
Fax: (8621) 3895 3815

France (Headquarters)

Alcatel Vacuum
Technology France
Tel: 33 (0)4 50 65 77 77
Fax: 33 (0)4 50 65 77 89

Germany

Alcatel Hochvakuum
Technik GmbH
Tel: (49) 9342 96 10 0
Fax: (49) 9342 96 10 30

Italy

Alcatel Vacuum
Systems S.p.A.
Tel: (39) 039 686 3855
Fax: (39) 039 667 125

India

Alcatel Vacuum
Technology India
Tel: (91) 124 473 7777
Fax: (91) 124 473 7799

Japan

Alcatel-Lucent Japan Ltd
Tel: (81) 45 540 7220
Fax: (81) 45 544 0049

Korea

Alcatel Vacuum
Technology Korea
Tel: (82) 31 206 6277
Fax: (82) 31 204 6279

Netherlands

Alcatel Vacuum
Technology Netherlands
Tel: (31) 345 478 400
Fax: (31) 345 531 076

Singapore

Alcatel-Lucent Singapore
Tel: (65) 6254 0828
Fax: (65) 6254 7018

Sweden

Adixen Scandinavia
Tel: (46) 13 35 59 00
Fax: (46) 13 35 59 01

Taiwan

Alcatel Vacuum
Technology Taiwan
Tel: (886) 3 5599 230
Fax: (886) 3 5599 231

United Kingdom

Alcatel Vacuum
Technology (U.K.) Ltd
Tel: (44) 1 506 418 000
Fax: (44) 1 506 418 002

USA

Alcatel Vacuum
Products
Tel: (1) 781 331 4200
Fax: (1) 781 331 4230

Alcatel Vacuum Technology France

98, avenue de Brogny - BP 2069 - 74009 ANNECY CEDEX - FRANCE - Tel.: 33 (0)4 50 65 77 77 - Fax: 33 (0)4 50 65 77 89
www.adixen.com